

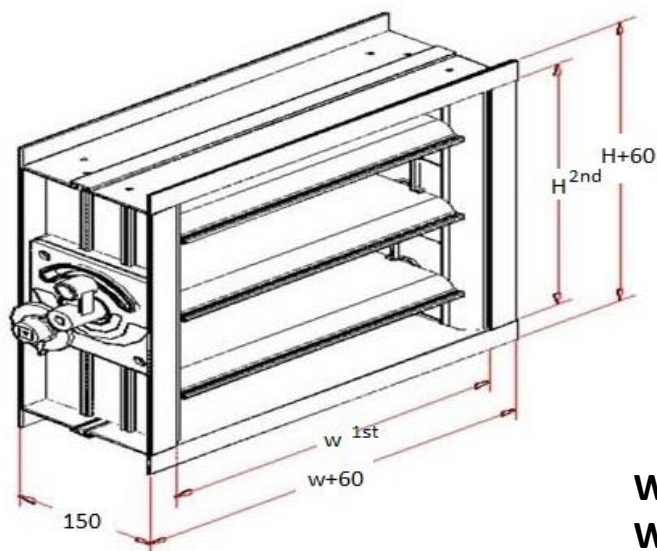


Leading Suppliers of
Heating, Cooling & Ventilation

VCD (VOLUME CONTROL DAMPER) Order Form

| SIZE W ^{1ST} x L ^{2ND} | MOTOR CONTROL [Y/N] | COMMENTS |
|--|---------------------|----------|
| | | |
| | | |
| | | |
| | | |
| | | |
| | | |
| | | |
| | | |
| | | |
| | | |
| | | |
| | | |
| | | |

Please note: All VCD's are made to airway size. See photo.



W&H = Airway size
W+&H+ = Overall Size